

# pugeo

Powered by Hätmed



## pugeo AUTOCLAVE

# Pugeo Autoclave 23L

The P23 provides an affordable, entry-level sterilization solution that is both safe and reliable. Designed for simplicity and ease of operation, it delivers excellent drying performance while offering essential features like record reprinting, emergency stop, and emergency door opening to meet your daily needs efficiently.



## Versatile Sterilization Programs

Choose from multiple programs to match your workflow:

- Standard programs for routine sterilization needs.
- Fast programs for quick instrument turnover.
- Custom programs to adjust parameters for unique requirements.

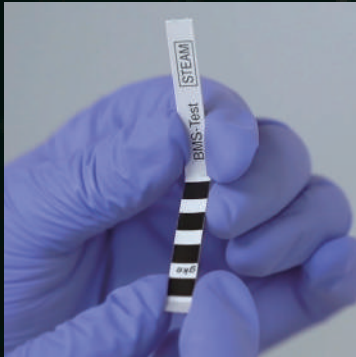
## Comprehensive Safety Features

Equipped with a safety door lock, automatic water quality monitoring, and automatic fault detection, the P23 prioritizes user safety. Additional features like emergency stop and emergency door opening provide added security during operation.

---

## Personalized Interface

The P23 features a color LCD display, enabling users to quickly see each cycle's parameters and select the most suited one.



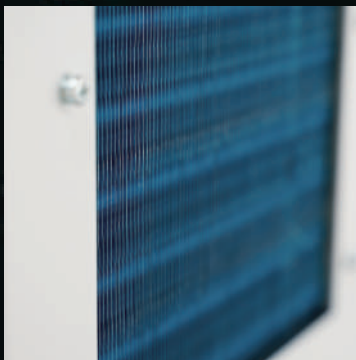
## Advanced Vacuum Performance

Equipped with an effective vacuum pump capable of achieving a vacuum level of -0.90 bar, it ensures high-quality sterilization and long-lasting performance.



## Comprehensive LOG Management

The historical records can be referred by date. Each sterilization record can be directly browsed on screen and a single record can also be reprinted. The sterilization records can also be exported to an USB drive.



## Optimal Drying Results

An efficient condensing system guarantees superior drying for various loads, including sterilization pouches and cotton fabric wrapping.



## Water Quality Monitoring

An integrated water quality detection system alerts users and halts sterilization cycles if impurities are detected, preventing potential damage to the equipment.

## Patented Steam Generator

The independent steam generator rapidly produces saturated steam, delivering thorough sterilization that passes even the strictest Helix and B&D testing standards.



---

## Optional Label Printing

Sterilization records can be stored, viewed, and managed effortlessly:

- The system can store up to 30,000 sterilization records.
- Records can be browsed by date directly on the screen.
- Individual records can be reprinted or exported via a USB drive.

## Flexible Water Tank Options

Available with either an internal or external water tank to suit various operational needs.

---

## Enhanced Locking Mechanism

Locking safety device ensures that the door can not be opened during the sterilization process, avoiding steam spraying and scalding operators, and making it easier to open and close the door.



## Emergency Door Switch

In the event of a power outage, the chamber automatically restores to normal pressure, allowing safe load removal using the emergency door button or once power is restored.



## Rotating Steel Wire Basket

The 23L model features a rotatable steel wire basket with two tray layers, which can be reconfigured to accommodate up to 5 layers of instruments.

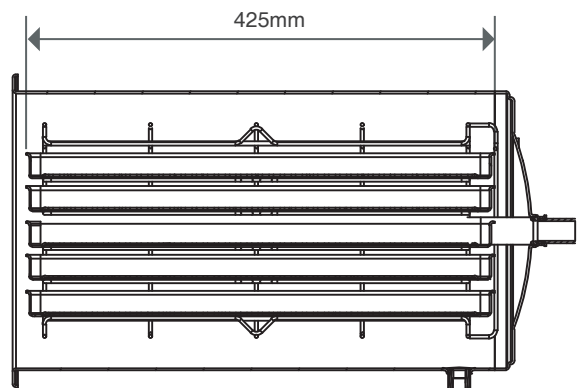
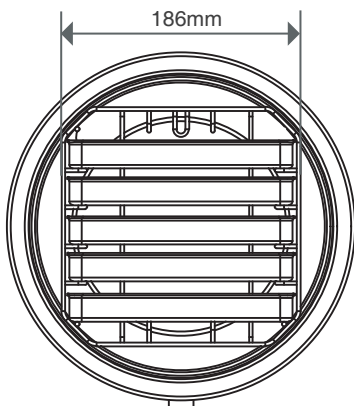
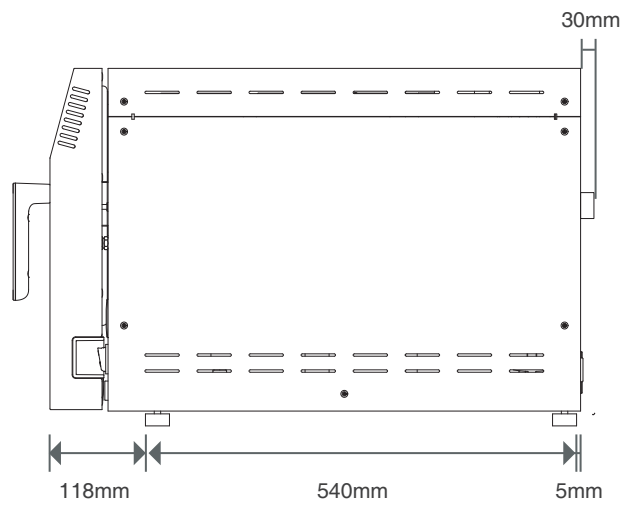
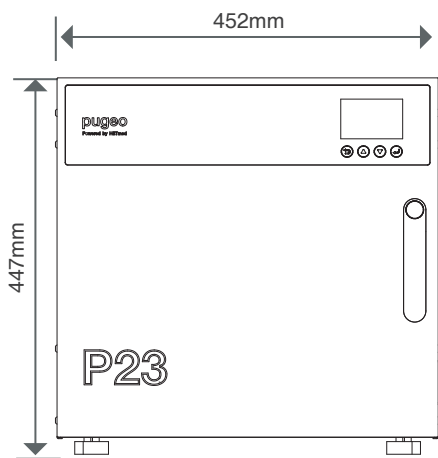


## Intelligent Load Detection

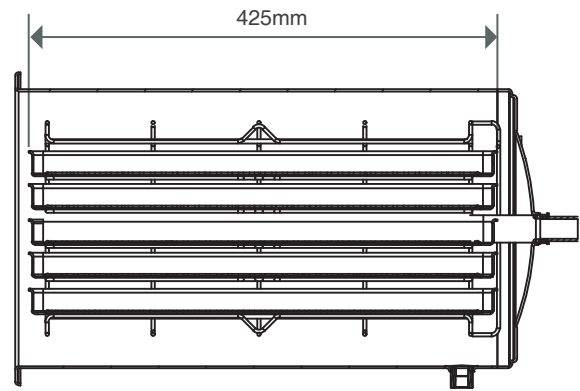
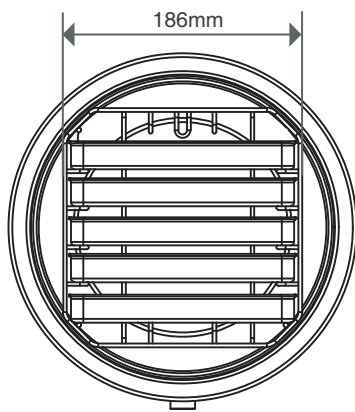
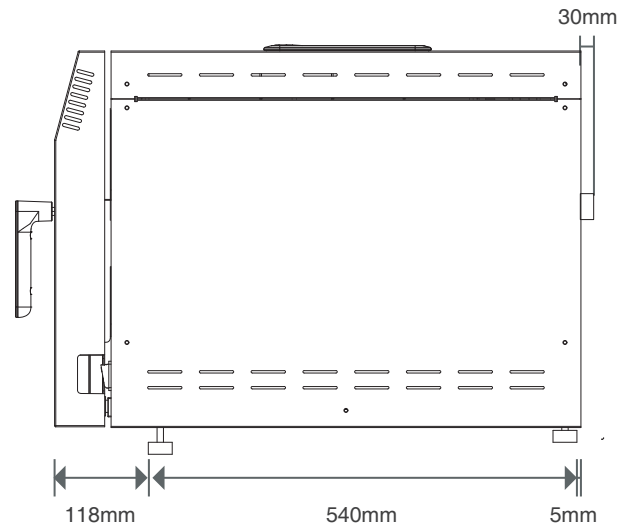
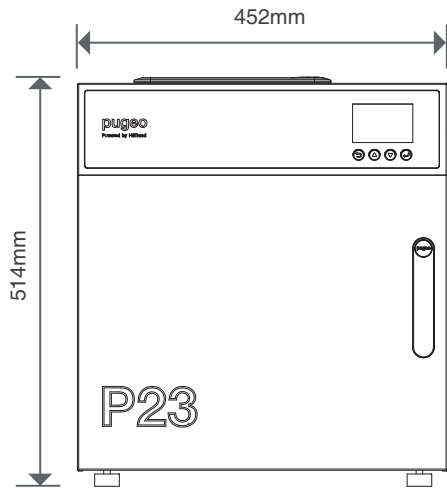
This advanced feature calculates the required time, water, and power with precision, adjusting resources based on the load size for effective sterilization. It also reduces energy consumption, supporting eco-friendly practices.



Product Measurements P23 External water tank



## Product Measurements P23 Internal water tank



## Features

- 3-time pre-vacuum
- Vacuum drying
- Pre-heat feature
- Emergency stop
- Smart load monitoring system
- Embedded control system
- Intelligent error detection
- Water quality monitoring
- Power off protection
- Built-in large memory
- 2 customizable programs
- Manual lock
- 3 test programs
- 7 preset programs
- Upgradeable firmware by USB drive

## Accessories



Label or LOG printer(optional)



Tray



Air filter



Tray clamp

## Product Measurements

Model	Q71B
Vol	23L
Screen	LCD display
Door Lock	Electrical safety door
Device Dimensions	External water tank: 452mm(W)*447mm(H)*721mm(D)
Device Dimensions	Internal water tank: 452mm(W)*514mm(H)*721mm(D)
Chamber Dimensions	∅ 253mm*460mm
Weight	47KG
Power	AC230V/50Hz,2000VA
Data Interface	USB/RS232
Printer	Internal or external
Water Tank	Internal or external water tank
Tray	2 Layers tray

Note: All technical data, programs, and configurations are subject to variation based on the model. Haetmed reserves the right to modify technical specifications without prior notice.



### Contact Us

Germany  
HäTmed GmbH  
Sternstraß 67 40479 Düsseldorf  
Deutschland/Germany

Email: [info@haetmed.de](mailto:info@haetmed.de)  
[www.haetmed.de](http://www.haetmed.de)

China  
HaeTmed(Wuxi) Co.,Ltd  
6th Floor, Building 7, Area C, 1699#  
Huishan Avenue,Huishan District,  
Wuxi Jiangsu Province,214174,P.R.China

Tel: +86 510 66682078  
Fax: +86 510 66682079  
Email: [info@haetmed.de](mailto:info@haetmed.de)  
[www.haetmed.de](http://www.haetmed.de)

### About Us

At HaeTmed, our vision is to ensure infection prevention, creating a safer medical environment for everyone. Built on a foundation of technological excellence, uncompromising quality, and relentless innovation, we have grown to become a trusted name in sterilization solutions.

Today, we introduce a new generation of fast Class B sterilizers, driven by forward-thinking design and cutting-edge technology. To meet diverse clinical needs, our product line now spans from compact 5L fast autoclaves to robust 55L large-capacity sterilizers, offering tailored solutions for every practice.

HaeTmed is committed to redefining standards in infection control and supporting healthcare professionals worldwide.